

Quick Cable Reserves The Right to Alter Product Types, Their Technical Data, Dimensions, Style And Accessories Without Prior Notification.

QUICK CABLE BATTERY ISOLATOR FAMILY

The Multi - Battery Isolator is part of the vehicle Charging and Energy Storage System. It isolates the vehicle's main system battery/batteries from the vehicle's auxiliary battery during vehicle non-running, cranking and running operation while providing a connection to charge both systems.

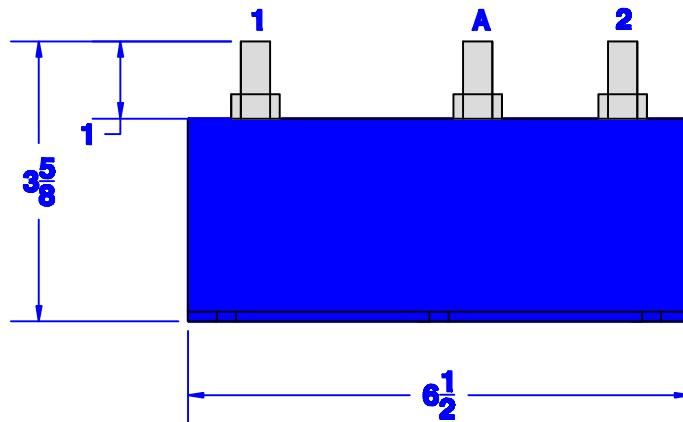
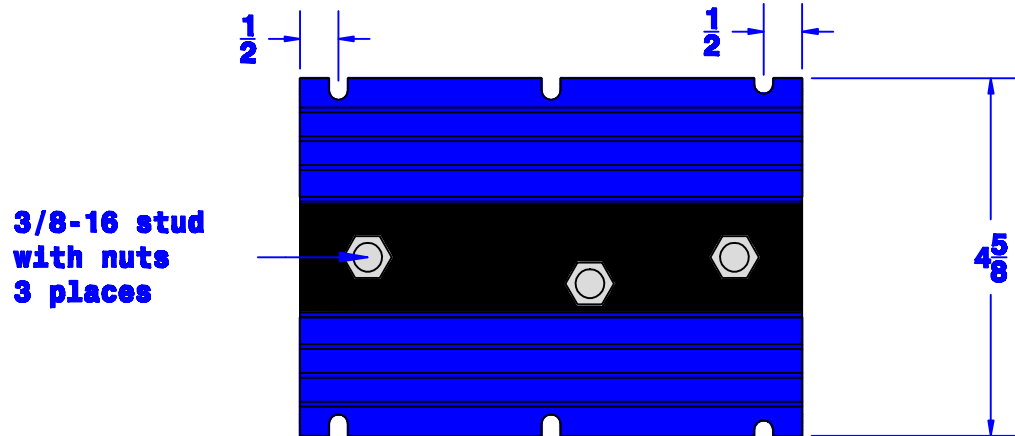
Model	303300	303301	303302	303303	303304	303305	303306
For Delctron alternator.	YES	YES	NO	NO	YES	NO	YES
DIODE TYPE	Silicon	Silicon	Schottky	Silicon	Silicon	Schottky	Silicon
Input Voltage Range (VDC)	0-50	0-50	0-40	0-50	0-50	0-40	0-50
Max. Alternator current (amp)	70	90	100	120	140	180	200
Max. Forward Voltage Drop (VDC)	0.9	0.9	0.65	0.9	0.9	0.65	0.9
Max. Reverse Leakage Current at 257°F(125°C) (uA)	100	100	100	100	100	100	100
Operating Temp (°C)	-40 to 122 (- 40 to 50)						
Max. Heatsink Temperature °F(°C)	252 (122)	252 (122)	176 (80)	252 (122)	252 (122)	176 (80)	252 (122)
Humidity(%RH)	0-95						
Alternator quantity	1						
Battery quantity	2						
Connect Stud	M6	M6	M8	M8	M8	M10	M10
Housing Material	6063-T5 Aluminum extrusion with anodizing						
Length in(mm)	3.2 (82)	5.0 (127)	5.0 (127)	6.5 (166)	8.0 (204)	8.0 (204)	11.0 (280)
Width in(mm)	4.5 (114)						
Total Height in(mm)	3.3 (83)						
Weight lbs(kg)	1.4 (0.7)	2 (0.9)	2.0 (0.9)	2.5 (1.15)	3.1 (1.4)	3.3 (1.5)	4.0 (1.8)



Property of		TITLE	
QUICKCABLE		Quick Cable	
800-558-8667		Battery Isolator	
www.quickcable.com		Family Spec Sheet	

Confidential and Proprietary Information						
Drawn By	Date	Checked	Scale	Size	Drawing #	REV
GCV	06-15-15		NONE	A	QC-ISOLATORS	
PART #				Sheet 1 of 1		

Rev	Date	ECN#	By	Description



Property of QUICK CABLE 3700 Quick Drive Franksville, WI 53128 U.S.A. www.quickcable.com	TITLE Standard Isolator 120 amp	
	PART # 303303	
Confidential and Proprietary Information		
Material & Treatment	Drawing # 303303-Info	REV
	Sheet 1 of 1	

Rev	Date	ECN#	By	Description

Drawn By **Bill S** Date **7-27-07** Checked By **Mike E** Scale **None**
 Tolerances, unless otherwise noted
Dimensions are reference only