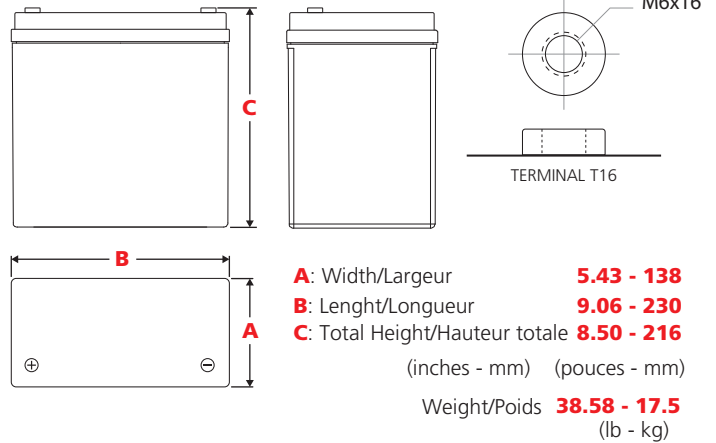


**WPHR12-60**

Manufacturer/Manufacturier: ENERWATT  
Made in/Fabriqué en: China/Chine



**DIMENSIONS**



**ELECTRICAL SPECIFICATION - SPÉCIFICATIONS ÉLECTRIQUES**

<b>12 V</b>	Voltage Voltage
<b>60</b>	Ampere-Hour (20H) Ampère-Heure (20H)
<b>—</b>	Reserve Capacity @ 25 Amp (Minutes) Capacité de réserve @ 25 Amp (minutes)
<b>—</b>	Reserve Capacity @ 75 Amp (Minutes) Capacité de réserve @ 75 Amp (minutes)
<b>6</b>	Internal Resistance (in mOhms - Approximative) Fully charged battery @25 °C Résistance Interne (en mOhms - approximatif) batterie pleine charge @25 °C
<b>3</b>	Self Discharge @ 20 °C (% of capacity per month) Décharge @ 20 °C (% de capacité par mois)

<b>AGM</b>	
Chemistry / Chimie	
Ampère heures/Amp hour (AH@25 °C)	
20H	<b>60</b>
10H	<b>55</b>
5H	<b>44</b>
3H	—
2H	—
1H	<b>33</b>
Final voltage voltage final: 1.75V/Cell	

Constant Current (A) and Constant Power (W) at 25 °C (72 °F)

Time		10 min	30 min	1h	2h	3h	4h	5h	8h	10h	20h
9.6 V	A	116	63	33	19.3	14.1	11	9.1	6.4	5.8	3.1
	W	1239	674	356.4	211.4	157.3	123.8	103.2	73.7	66.7	36.3
10.2 V	A	105	60	31	18.4	13.8	10.7	8.9	6.3	5.7	3
	W	1169	673	350.8	211.7	159.2	124.7	103.9	73.4	66.6	35.5
10.5 V	A	94	56	30	17.9	13.4	10.6	8.8	6.2	5.6	3
	W	1066	646	347.7	208	156.4	123.6	103.2	73.1	65.7	35.5
10.8 V	A	88	52	29	17.5	13.1	10.4	8.6	6.1	5.5	3
	W	1018	599	270	204.8	154.3	122.7	101.4	71.7	65.4	35.4
11.1 V	A	83	46	28.1	17.1	12.7	10.1	8.4	5.9	5.2	2.8
	W	958	541	329.9	201.5	150.3	120.5	99.8	70.5	63.1	34