

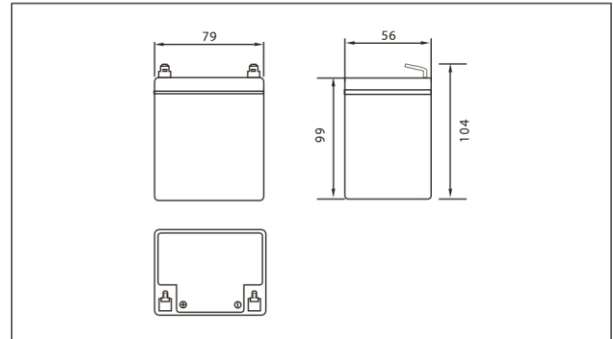


ENERWATT

WP2.9-12T



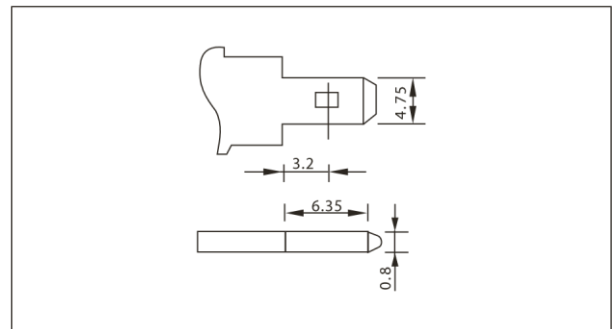
● Outer dimensions (mm)



● Specifications

Nominal Voltage		12V
Rated capacity (20 hour rate)		2.9 Ah
Dimensions	Total Height	104 mm (4.09 inches)
	Height	99 mm (3.89 inches)
	Length	79 mm (3.11 inches)
	Width	56 mm (2.20 inches)
Weight Approx		1.07 Kg (2.35 lbs)

● Terminal Type (mm)



● Characteristics

Capacity 25 °C(77 °F)	20 hour rate (0.135 A)	2.90 AH
	10 hour rate (0.25A)	2.67AH
Capacity affected by Temperature (20hour rate)	5 hour rate (0.46 A)	2.46 AH
	1 hour rate (1.62 A)	1.74 AH
	1.5 hour discharge to 10.5V	1.16 A
Internal Resistance	Full charged Battery at 25°C(77 °F)	45 m Ω
Capacity affected by Temperature (20hour rate)	40 °C(104 °F)	102%
	25 °C(77 °F)	100%
	0 °C(32 °F)	85%
	-15 °C(5 °F)	65%
Self-Discharge at 25 °C(77 °F)	Capacity after 3 month storage	91%
	Capacity after 6 month storage	82%
	Capacity after 12 month storage	64%
Terminal	T1	
Charge (constant Voltage)	Cycle	Initial Charging Current less than 1.16 A Voltage 14.10-14.40V
	Float	Voltage 13.50-13.80V

● Discharge Curves 25 °C(77 °F)

